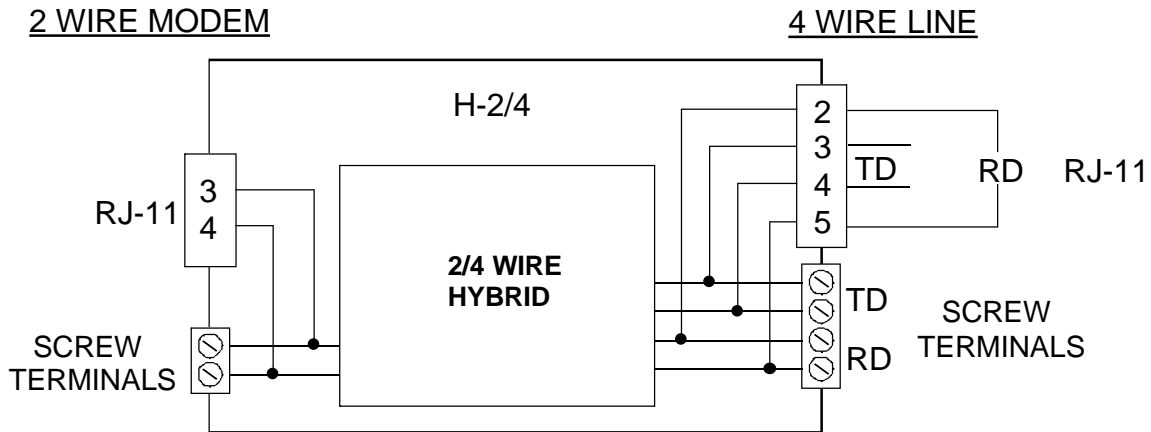


Allows a 2 wire private line modem to use a 4 wire leased line



GENERAL DESCRIPTION

The Model H-2/4 Hybrid Converter is a passive device that allows conversion of two wire analog modems for use on four wire private 600 ohm lines. The Hybrid Converter is a passive device requiring no external power. Connection to the modem and line are made using either RJ-11 modular jacks and/or screw terminals.

The H-2/4 is available as a standalone unit or as a dual hybrid rack mounted card. The card, model HR-2/4, mounts in a 12 position card nest, model HR-2/4-12R. The H-2/4 Converter is intended to operate with 600 ohm voice frequency leased lines only. It is not intended for use on dial-up lines.

INSTALLATION

Connect the two wire modem to the 2 wire terminals or RJ-11 modular jack. Connect the four wire line transmit and receive pairs to the four wire terminals marked "TD" and "RD", or connect the line to the RJ-11 modular jack marked "4W". Terminal and jack connections can be mixed if required. Both the two wire and four wire connections are polarity insensitive. Connect either terminal to tip or ring.

MODEM LEVELS

This unit is designed to operate on 2 wire leased line modems with a transmit level of 0dBm. Please make sure that your modem is set at this level prior to installation of the hybrid converter. Please consult your modem manufacturer regarding level settings.

SPECIFICATIONS

Impedance:	600 ohms
Through Signal Loss:	Less than 6 dBm
Hybrid Rejection:	Greater than 30 dBm
Standalone case:	High impact ABS (3.5" x 2.25" x 1.5")
Rack Nest:	Standard 19" x 3.5", 12 position, 24 circuit. (3) 50 pin Telco female.

ORDERING INFORMATION

<u>Model</u>	<u>Description</u>	<u>Price</u>
H-2/4	2/4 wire Hybrid Converter	\$110
HR-2/4	Dual Hybrid Card	\$140
HR-2/4-12R	12 Position Card Nest	\$575